

IC7		CHIP	
GTK2009			
CLK & RST		SERIAL OUT	
PLUS_CLKRO	108	MINUS_SO	144 MINUS_SO<0>
MINUS_CLKRO	106	PLUS_SO	142 PLUS_SO<0>
PLUS_REFCLK_SE	104	MINUS_SO	140 MINUS_SO<1>
MINUS_REFCLK_SE	102	PLUS_SO	138 PLUS_SO<1>
C_RESET_1V2	133	MINUS_SO	136 MINUS_SO<2>
C_DLL_RES_1V2	113	PLUS_SO	134 PLUS_SO<2>
C_CNT_RST_1V2	111	MINUS_SO	132 MINUS_SO<3>
		PLUS_SO	130 PLUS_SO<3>
		MINUS_SO	128 MINUS_SO<4>
		PLUS_SO	126 PLUS_SO<4>
		MINUS_SO	124 MINUS_SO<5>
		PLUS_SO	122 PLUS_SO<5>
		MINUS_SO	120 MINUS_SO<6>
		PLUS_SO	118 PLUS_SO<6>
		MINUS_SO	116 MINUS_SO<7>
		PLUS_SO	114 PLUS_SO<7>
		MINUS_SO	112 MINUS_SO<8>
		PLUS_SO	110 PLUS_SO<8>
ENABLE CHAN		TEST OUT	
C_CHAN_1V2<0>	131	RFN	97 RFN
C_CHAN_1V2<1>	129	PAD_CB	93 PAD_CB_1V2
C_CHAN_1V2<2>	127	PAD_CA	92 PAD_CA_1V2
C_CHAN_1V2<3>	125	MINUS_VCDLOUT	87 MINUS_VCDLOUT
C_CHAN_1V2<4>	123	PLUS_VCDLOUT	86 PLUS_VCDLOUT
C_CHAN_1V2<5>	121	MINUS_NOTVCDLOUT	85 MINUS_NOTVCDLOUT
C_CHAN_1V2<6>	119	PLUS_NOTVCDLOUT	84 PLUS_NOTVCDLOUT
C_CHAN_1V2<7>	117		
C_CHAN_1V2<8>	115		
		PAD_ADDRESS	43 PAD_ADDRESS_1V2<0>
		PAD_ADDRESS	42 PAD_ADDRESS_1V2<1>
		PAD_ADDRESS	46 PAD_ADDRESS_1V2<2>
		PAD_ADDRESS	47 PAD_ADDRESS_1V2<3>
		PAD_ADDRESS	74 PAD_ADDRESS_1V2<4>
		MINUS_RXOUTTEST	73 MINUS_RXOUTTEST
		PLUS_RXOUTTEST	72 PLUS_RXOUTTEST
		MINUS_HIT	45 MINUS_HIT
		PLUS_HIT	44 PLUS_HIT
		LODPMM	19 LODPMM
		LODPMP	18 LODPMP
		PAD_BLOCK	33 PAD_BLOCK_SEL1V2
		PAD_EARLYPDA	32 PAD_EARLYPDA_1V2
		ANPM	11 ANPM
		ANPP	12 ANPP
			MEME LONG
		WG_TO_P	96 WG_TO_P
		WG_TO_M	95 WG_TO_M
		RXBIAS	98 RXBIAS
		RCLK_BIAS	99 RXCLK_BIAS
		DCALOUTTEST	149 DCALOUTTEST
		PAD_RXTIM	66 PAD_RXTIM_1V2
		PAD_RXTIP	67 PAD_RXTIP_1V2
		PAD_NOTUSED	75
		SUB	150
CONFIG		ANALOG BIAS	
LDCINM	25	PAD_FORCEEARLY	36
LDCINP	24	PAD_FORCELATE	35
LCCLKM	23	PAD_FORCEMUX	34
LCCLKP	22		
C_MODE_1V2	135		
		IBPB	9
		IBPRE	8
		VB	7
		VC	6
		VT1	5
		VT2	4
		IBCOM	20
		TLBIAS	21
		CALLINE	10
		POWER	
		VDD	
		DVDD	
		VDDA	
		VSS	
		DVSS	
		GNDA	

Project file:gtb_sensor_card.cpm SYSTEM: SPB16.01

EDA-01995-V2-0

PROJECT:NA62_GTK_Test_Card

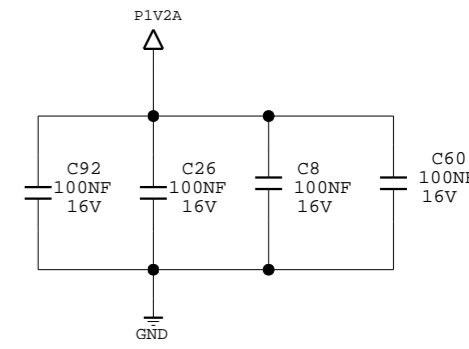
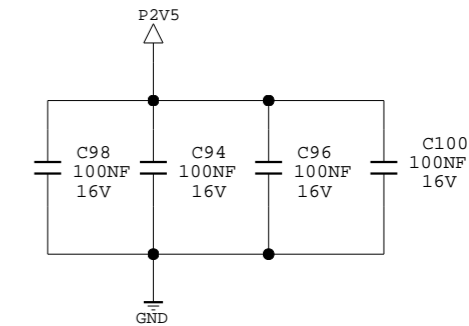
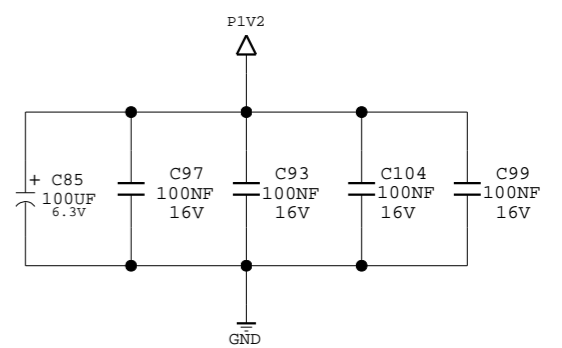
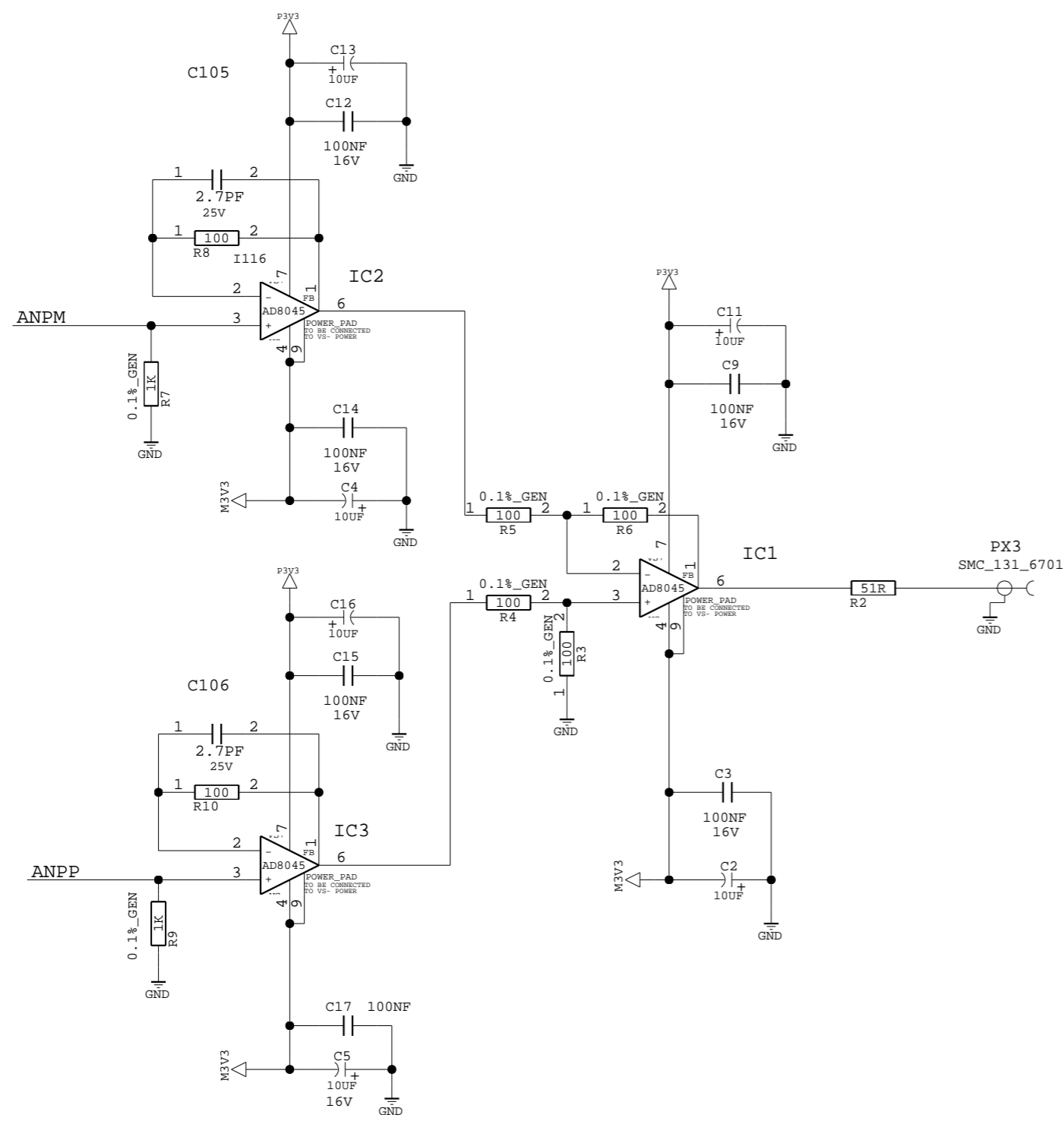
European Organization for Nuclear Research
1211 GENEVA 23 SWITZERLAND


MODULE:gtb_sensor_card Sheet: 1/6 / Project: 1/6

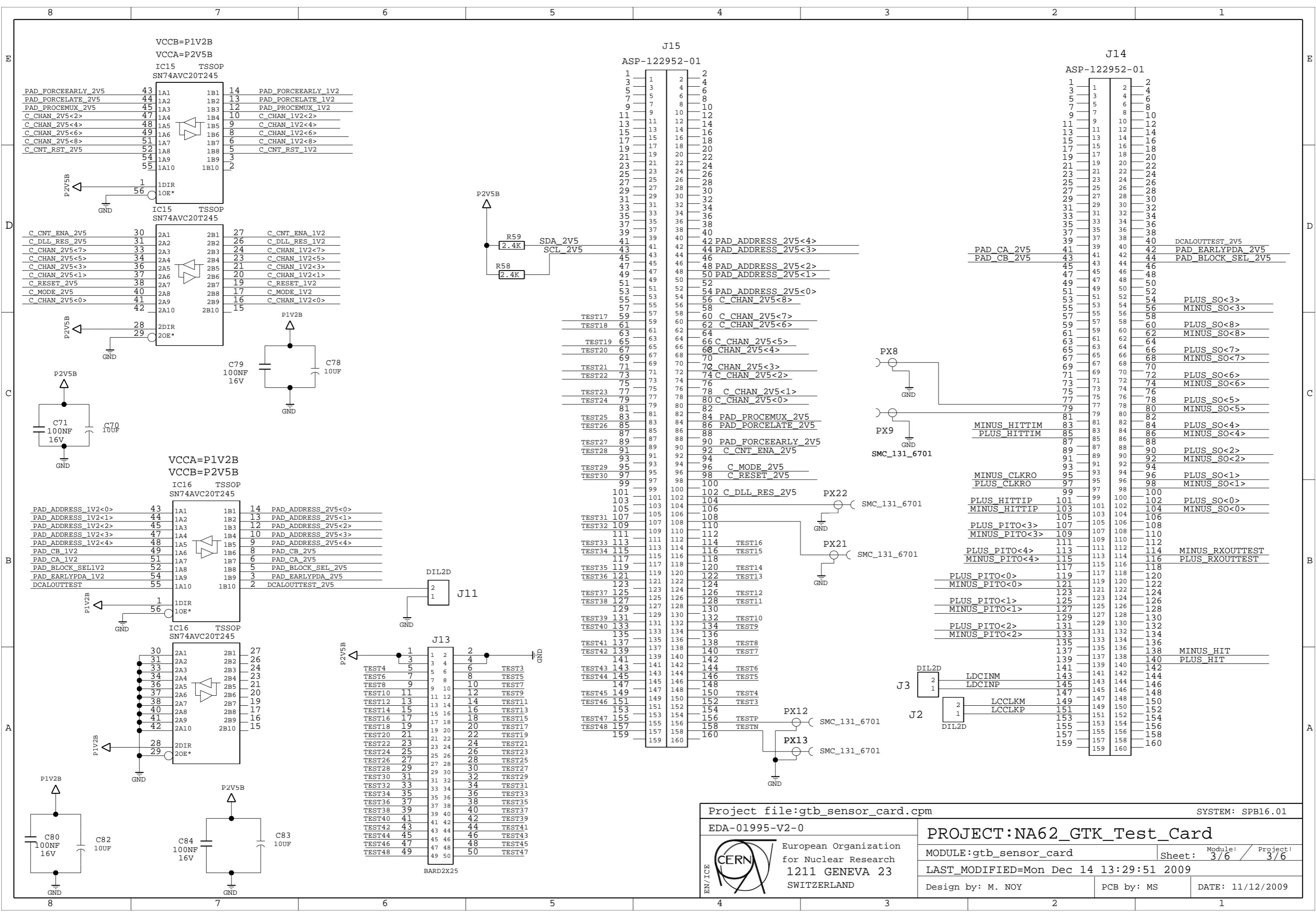
LAST_MODIFIED=Mon Dec 14 13:29:45 2009

Design by: M. NOY PCB by: MS DATE: 11/12/2009





Project file:gtb_sensor_card.cpm		SYSTEM: SPB16.01	
EDA-01995-V2-0		PROJECT:NA62_GTK_Test_Card	
 European Organization for Nuclear Research 1211 GENEVA 23 SWITZERLAND	MODULE:gtb_sensor_card	Sheet: 2/6 / Project: 2/6	
	LAST_MODIFIED=Mon Dec 14 13:29:48 2009		
	Design by: M. NOY	PCB by: MS	DATE: 11/12/2009



VCCB=P1V2B
 VCCA=P2V5B
 IC15 TSSOP
 SN74AVC20T245


IC15 TSSOP
 SN74AVC20T245

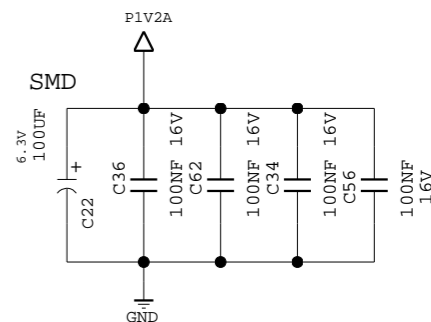
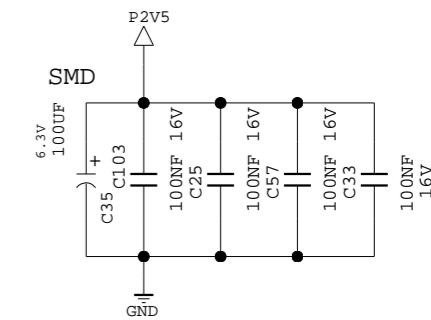
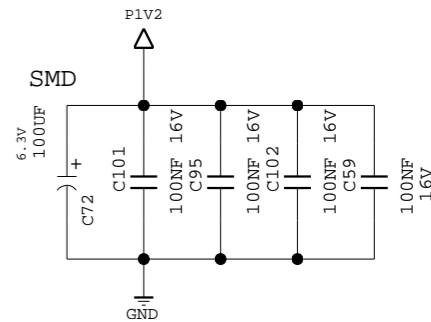
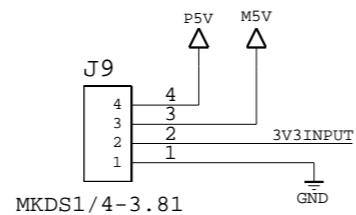
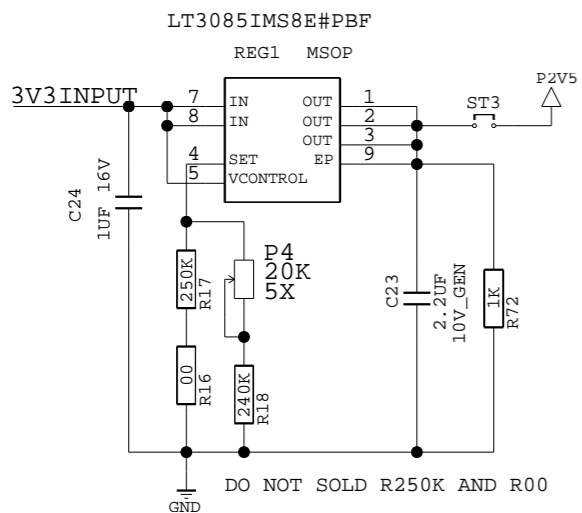
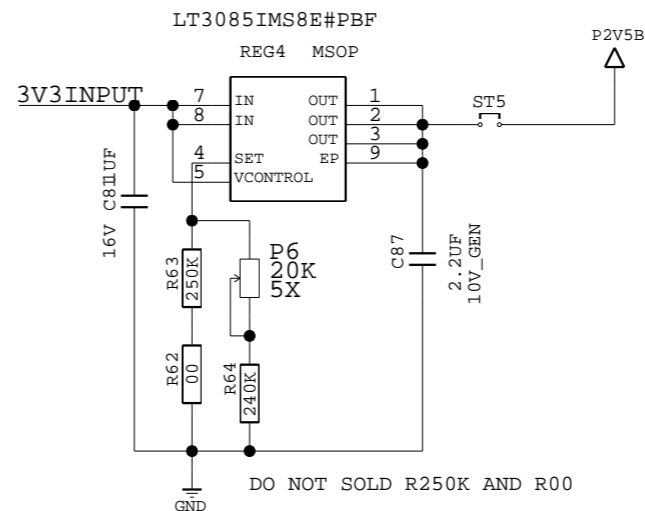
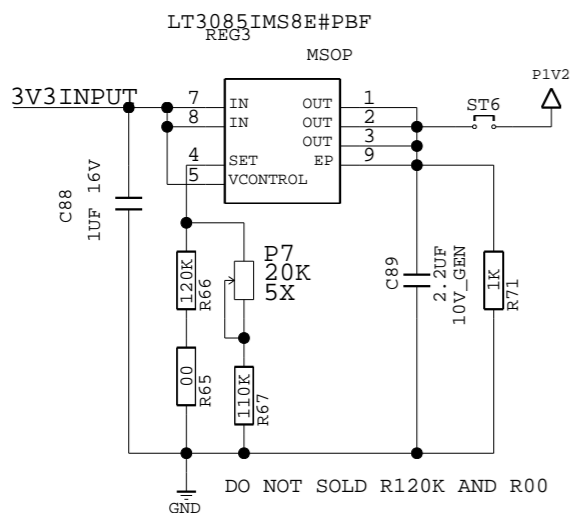
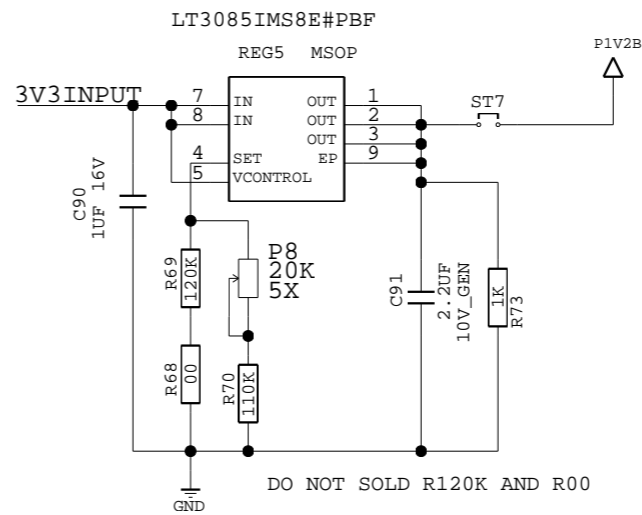
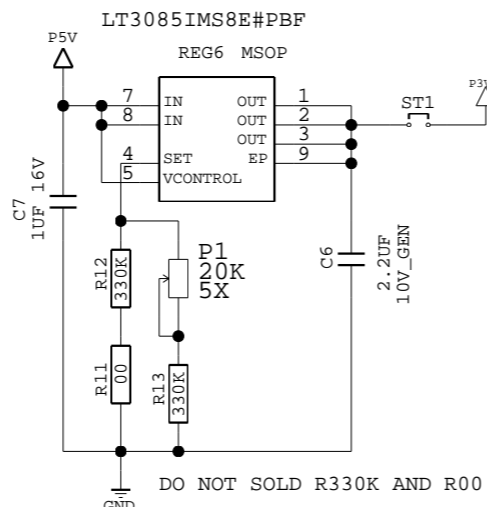
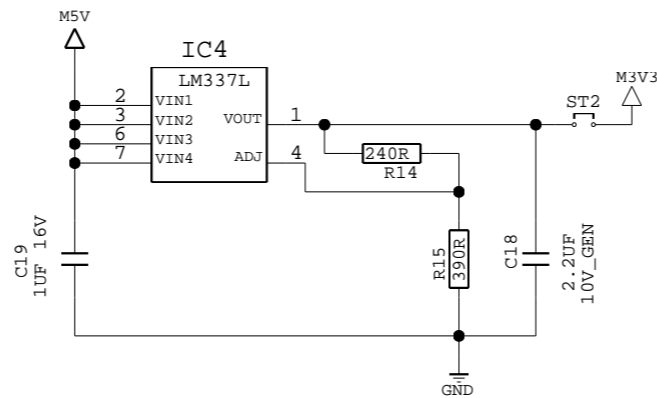
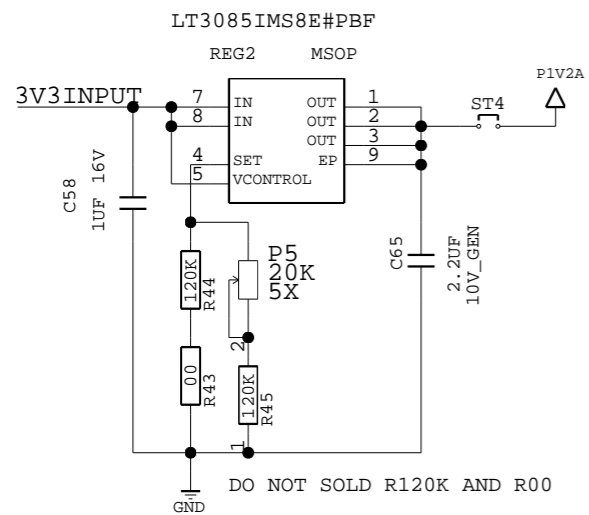
VCCA=P1V2B
 VCCB=P2V5B
 IC16 TSSOP
 SN74AVC20T245

IC16 TSSOP
 SN74AVC20T245

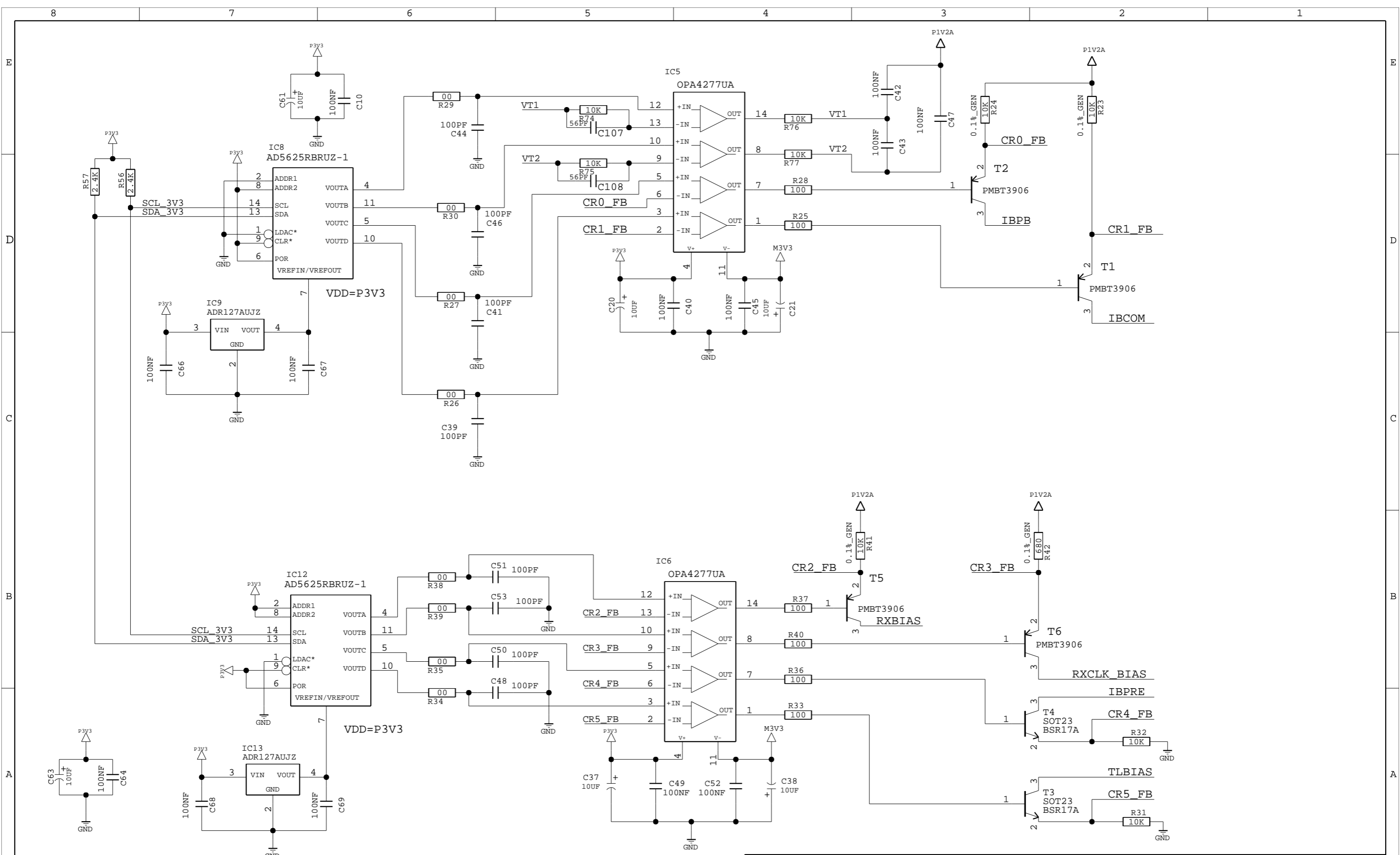
J15
 ASP-122952-01


J14
 ASP-122952-01

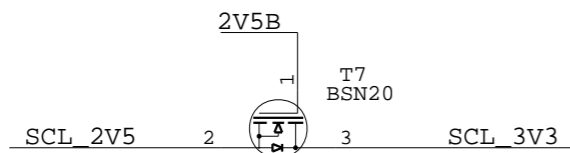
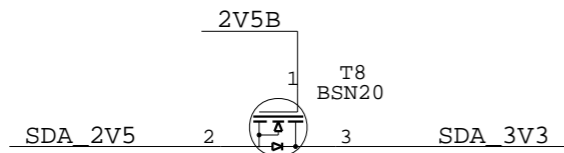
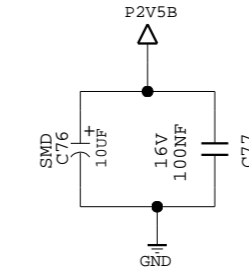
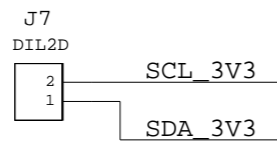
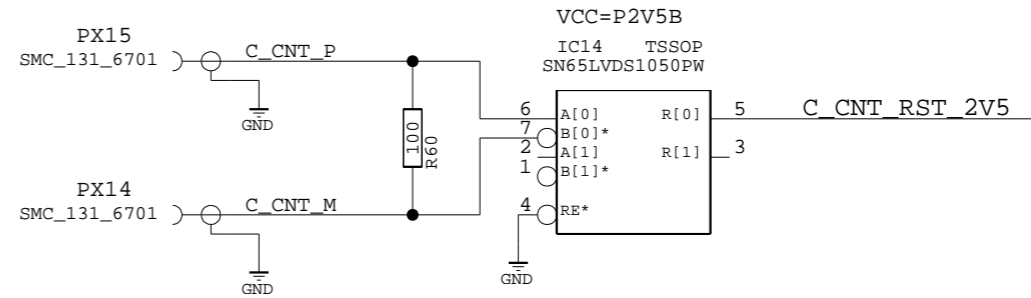
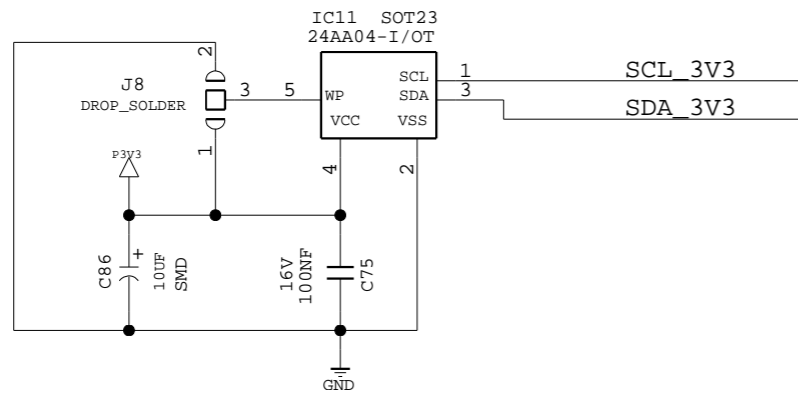
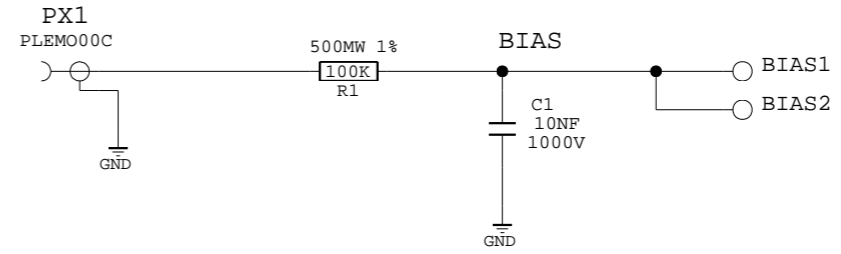
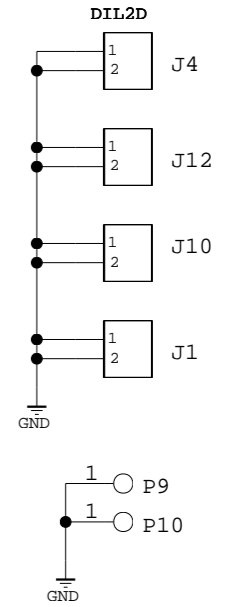
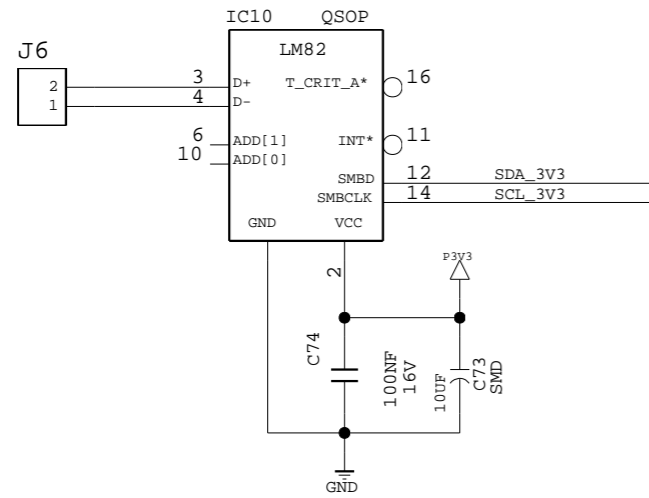
Project file:gtb_sensor_card.cpm		SYSTEM: SPB16.01	
EDA-01995-v2-0		PROJECT:NA62_GTK_Test_Card	
 European Organization for Nuclear Research 1211 GENEVA 23 SWITZERLAND	MODULE:gtb_sensor_card		Sheet: 3/6 / Project: 3/6
	LAST_MODIFIED=Mon Dec 14 13:29:51 2009		
Design by: M. NOY	PCB by: MS	DATE: 11/12/2009	




Project file:gtb_sensor_card.cpm		SYSTEM: SPB16.01	
EDA-01995-V2-0		PROJECT:NA62_GTK_Test_Card	
European Organization for Nuclear Research 1211 GENEVA 23 SWITZERLAND		MODULE:gtb_sensor_card	Sheet: 4/6 / Project: 4/6
CERN		LAST_MODIFIED=Mon Dec 14 13:29:52 2009	
EN/ICE		Design by: M. NOY	PCB by: MS
		DATE: 11/12/2009	



Project file:gtb_sensor_card.cpm		SYSTEM: SPB16.01	
EDA-01995-V2-0		PROJECT:NA62_GTK_Test_Card	
 European Organization for Nuclear Research 1211 GENEVA 23 SWITZERLAND		MODULE:gtb_sensor_card	Sheet: 5/6 / Project: 5/6
		LAST_MODIFIED=Mon Dec 14 13:29:55 2009	
Design by: M. NOY	PCB by: MS	DATE: 11/12/2009	



Project file: gtb_sensor_card.cpm		SYSTEM: SPB16.01	
EDA-01995-V2-0		PROJECT: NA62_GTK_Test_Card	
 European Organization for Nuclear Research 1211 GENEVA 23 SWITZERLAND	MODULE: gtb_sensor_card	Sheet: 6/6	Project: 6/6
	LAST_MODIFIED=Mon Dec 14 13:29:59 2009		
Design by: M. NOY	PCB by: MS	DATE: 11/12/2009	